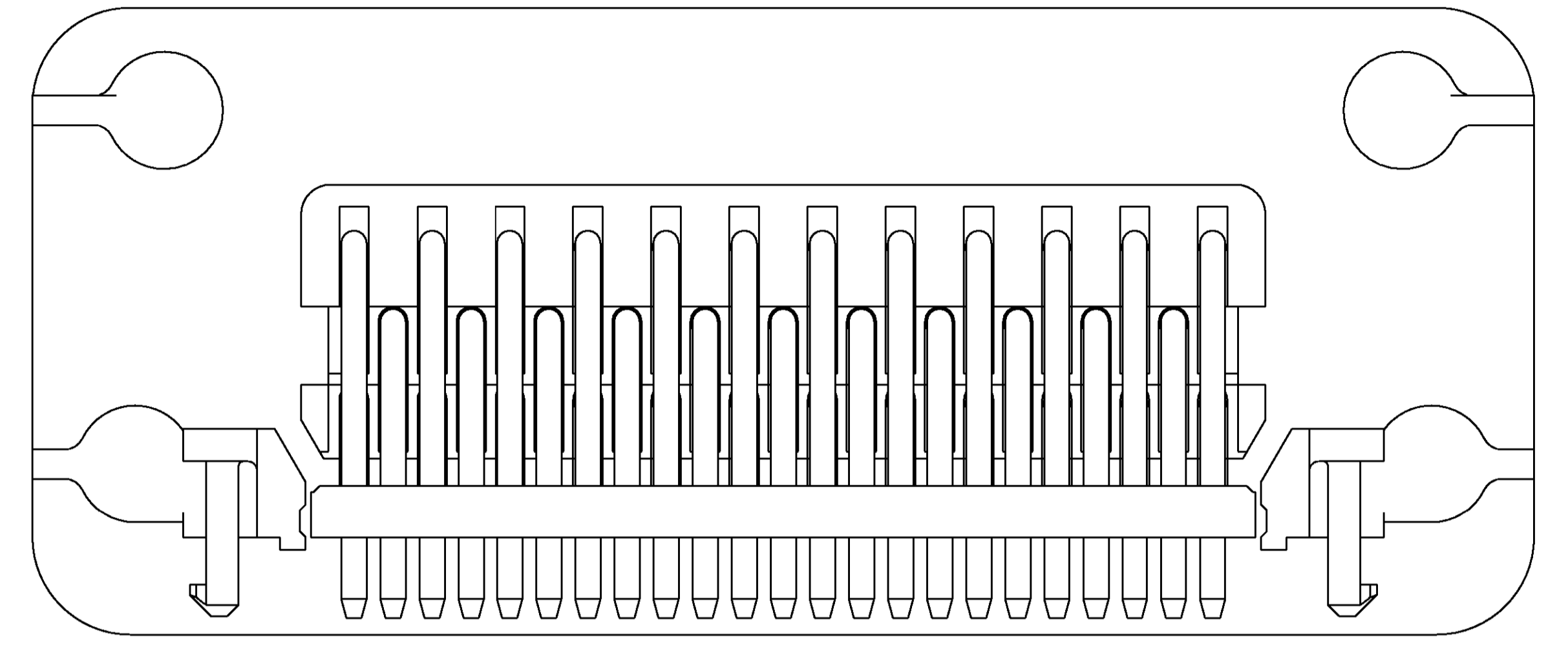
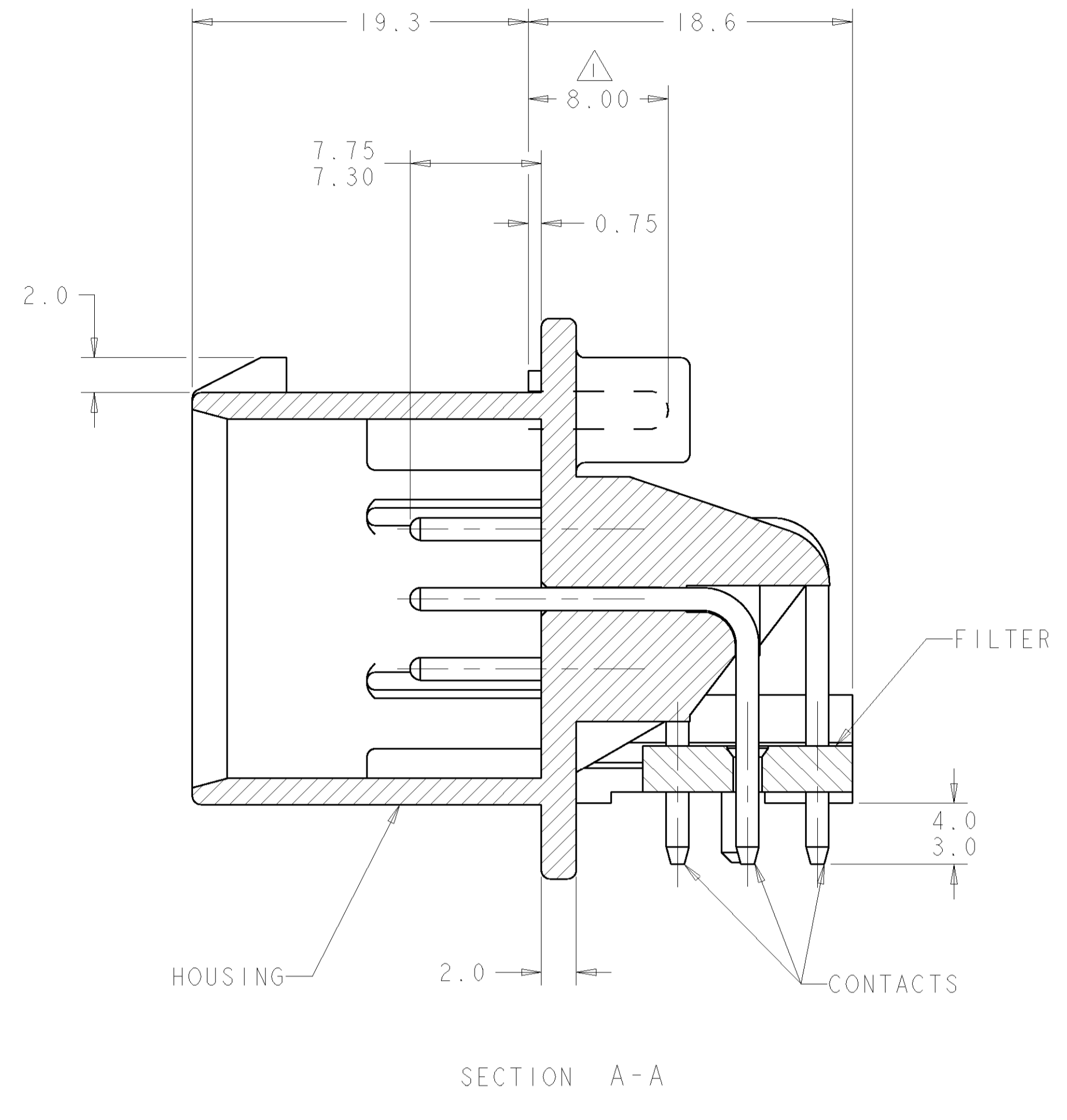
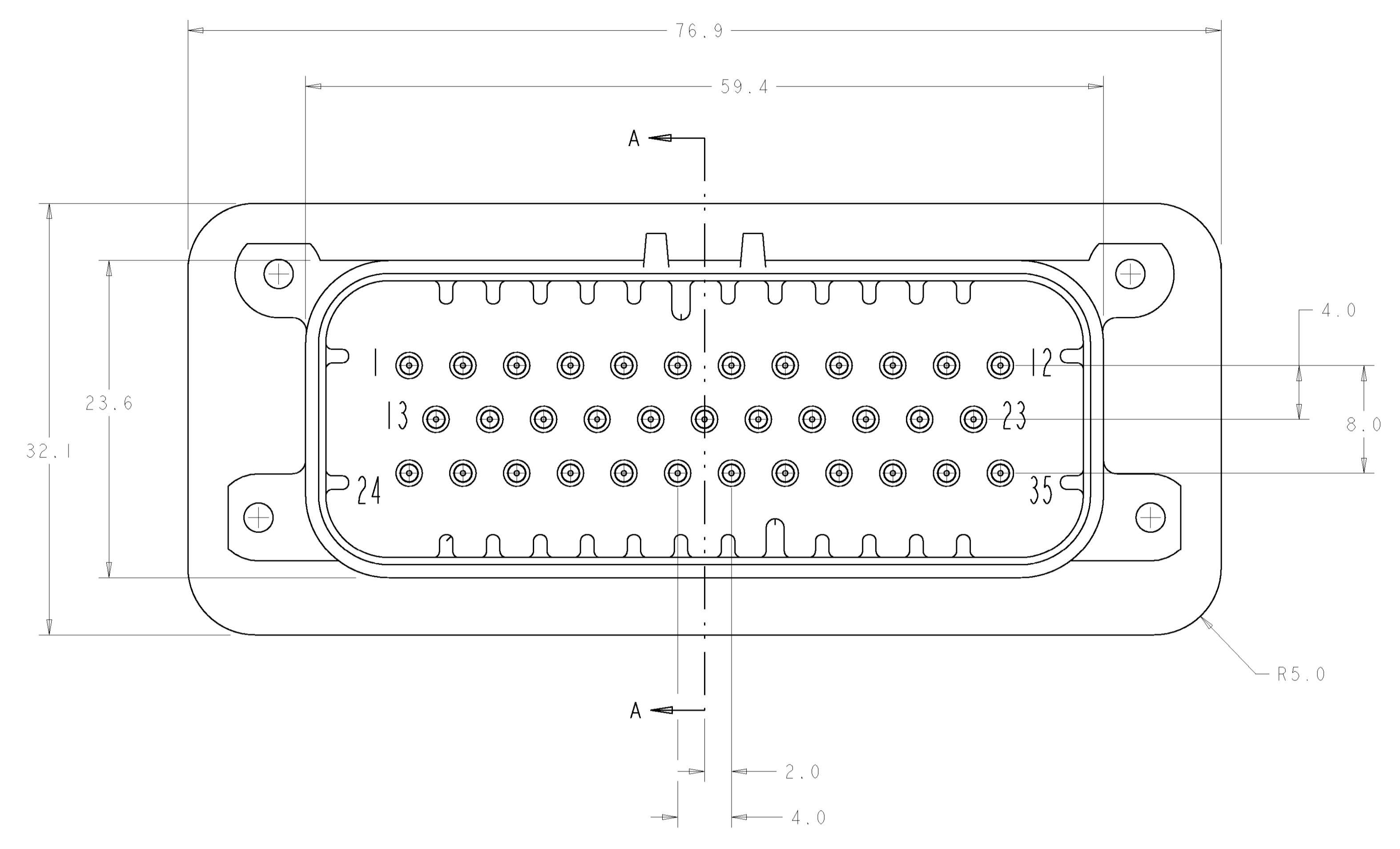
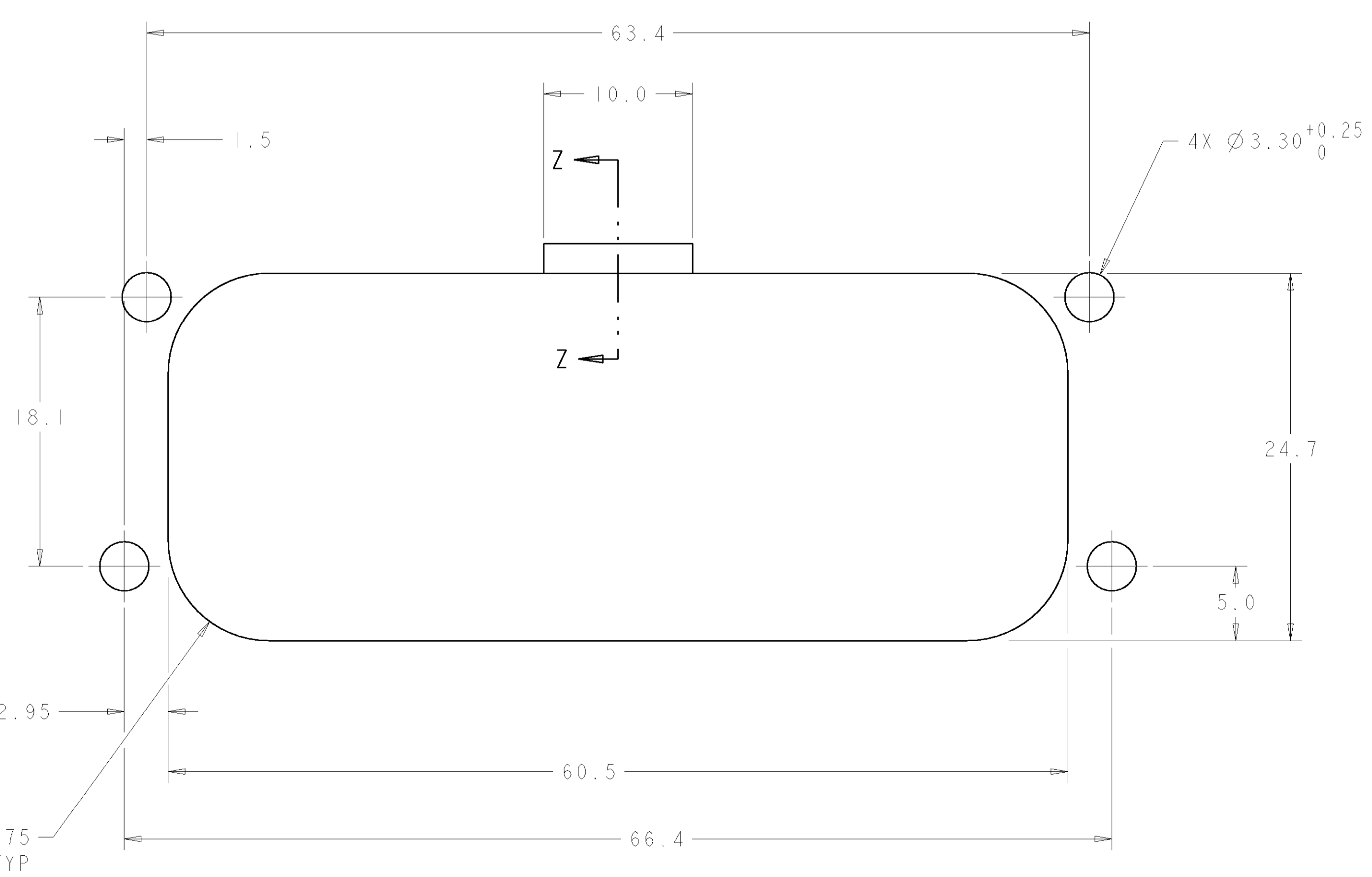


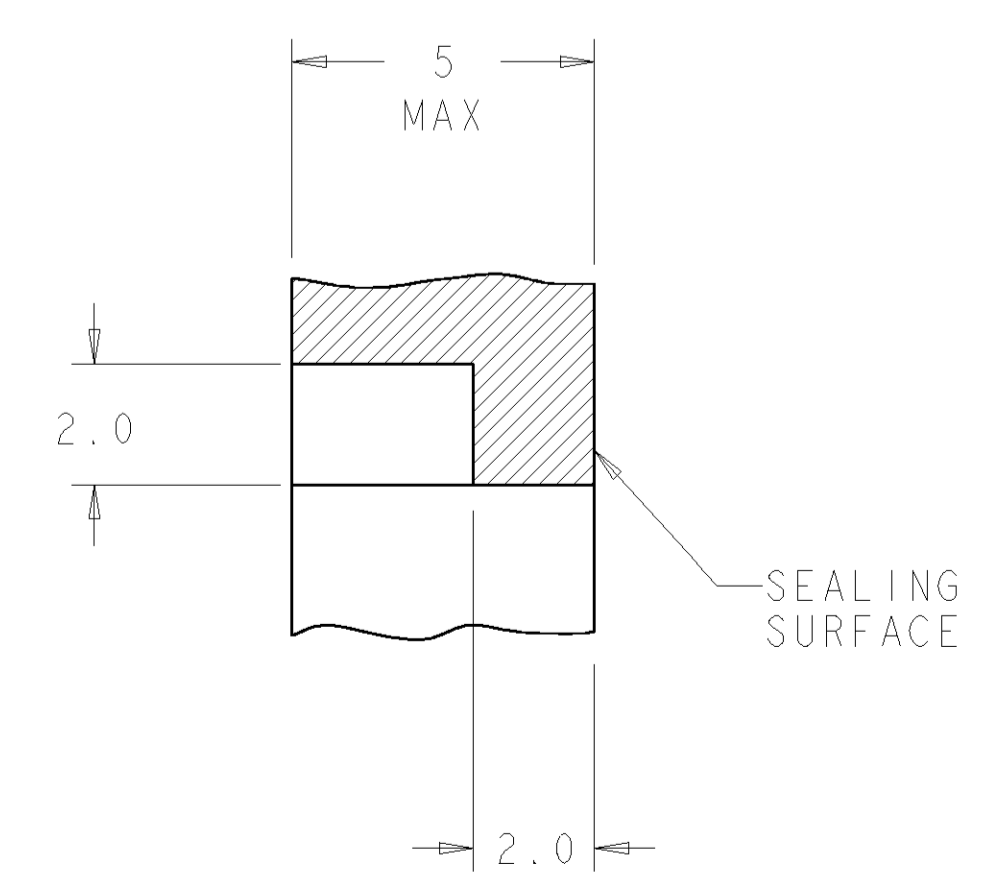
REV	DATE	BY	CHK	APPV
A	REV PER EC 0K40-1104-02	DATEB03	RGV	DHC
B	REV PER EC 0K40-0235-03	DATEB03	AK	DC



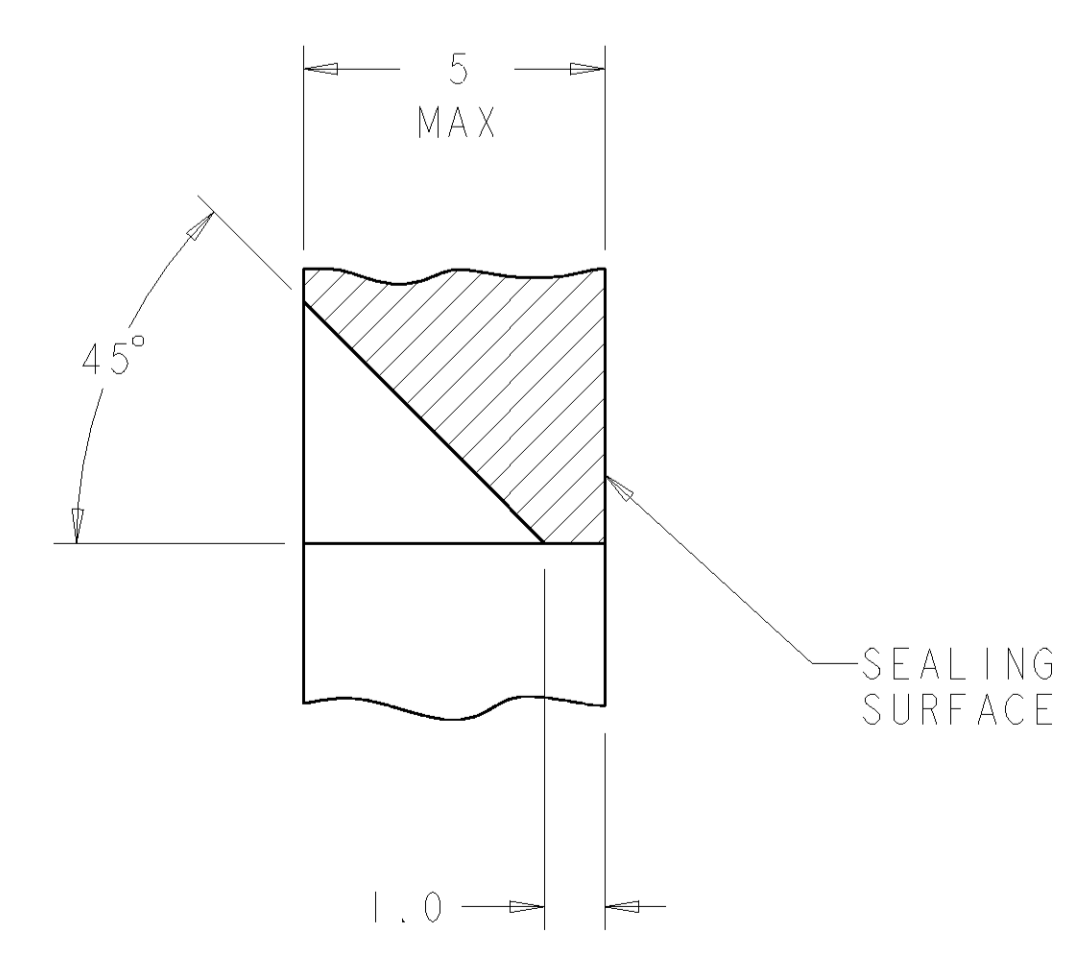
ACCEPTS #4 SELF TAPPING SCREW (ELCO HI-LO THREAD CUTTING STYLE OR EQUIVALENT) TO BE DRIVEN AT 0.6±0.2 N-M.
 HOUSING COLORS ARE MECHANICALLY KEYS TO MATE ONLY WITH IDENTICALLY COLORED PLUG ASSEMBLIES.



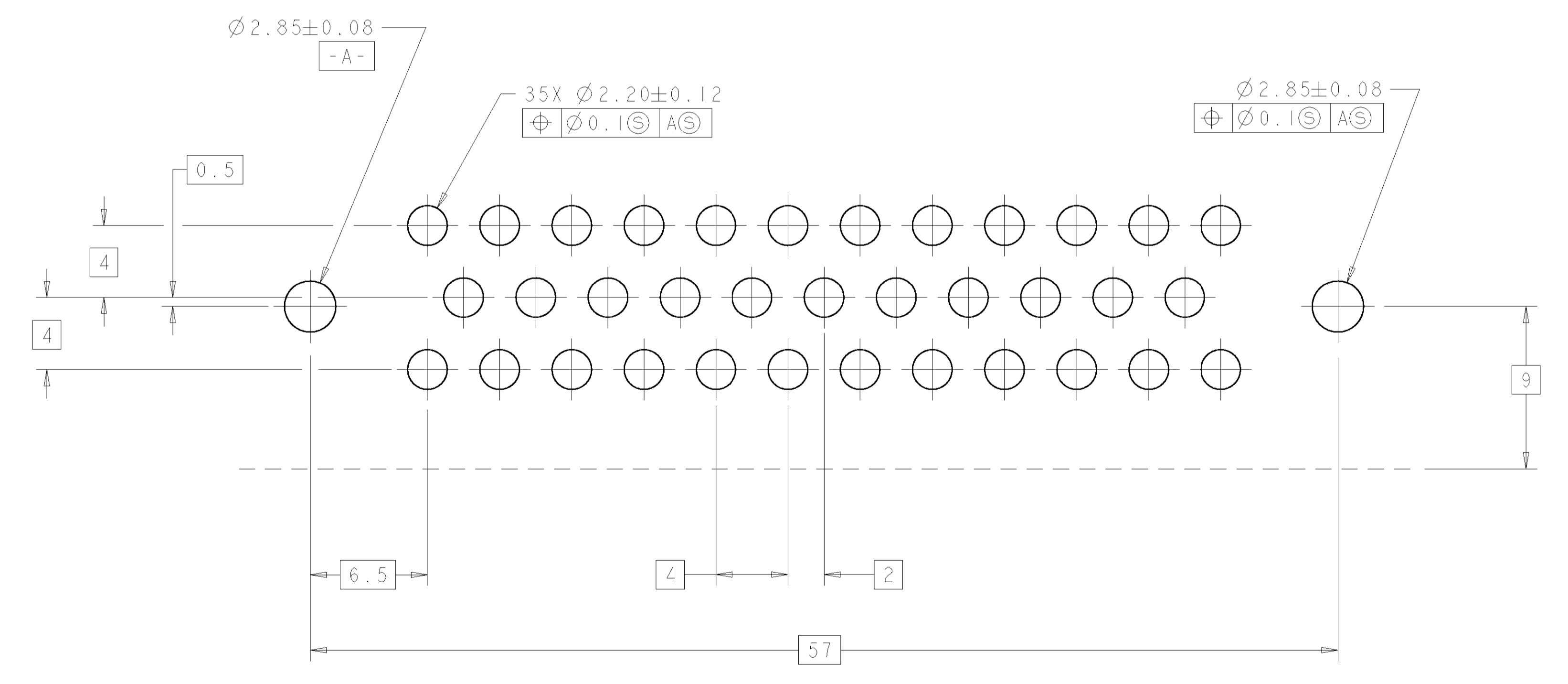
RECOMMENDED MOUNTING HOLE LAYOUT FOR 5.0 MAX THICK PANEL



SECTION Z-Z
 OPTIONAL CONSTRUCTION IF THICKNESS IS GREATER THAN 2.0
 SCALE 8:1



SECTION Z-Z
 OPTIONAL CONSTRUCTION IF THICKNESS IS GREATER THAN 2.0
 SCALE 8:1



RECOMMENDED P.C. BOARD LAYOUT FOR 1.57 THICK P.C. BOARD

PBT	BLACK	BRASS	DURAGOLD	PBT	NATURAL (WHITE)	I-776338-2
PBT	BLACK	BRASS	DURAGOLD	PBT	BLACK	I-776338-1
MATERIAL	COLOR	MATERIAL	FINISH	MATERIAL	COLOR	PART NO

REV	DATE	BY	CHK	APPV
1	31DEC2002	VEJ	VEJ	VEJ
2	31DEC2002	CD	CD	CD
3	31DEC2002	CD	CD	CD

tyco
Electronics
 Tyco Electronics
 Harrisburg, PA 17105-3808

NAME: 35 POSITION, SNAP-IN, AMPSEAL
 SIZE: 00779
 CASE CODE: 776338
 SCALE: 4:1